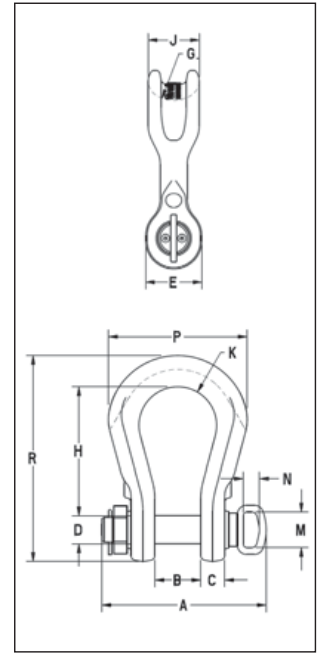




G-2160 / S-2160

- All sizes Quenched and Tempered for maximum strength.
- Forged alloy steel from 7 thru 300 metric tons.
- Cast alloy steel from 400 thru 1550 metric tons.
- Proof tested as follows:
 - 7 thru 75 metric tons and 200 thru 300 metric tons: 2 x WLL.
 - 125 metric tons: 1.6 x WLL.
 - 400 metric tons and higher: 1.33 x WLL.
- All ratings are in metric tons, embossed on side of bow.
- G-2160, (7 thru 55t), are Hot Dip Galvanized and pins are painted red.
- G-2160, (75t and larger), bows are furnished Dimetcoated, and pins are Dimetcoated, then painted red.
- S-2160 bows and pins are painted red.
- Shackles, 30t and larger, are **RFID EQUIPPED**.
- Can be used to connect Synthetic Web Slings, Synthetic Round Slings or Wire Rope Slings.
- Increase in shackle bow radius provides minimum 58% gain in sling bearing surface and eliminates need for a thimble.
- Increases usable sling strength minimum of 15% and greatly improves life of wire rope slings.
- Approved for use at -40° C (-40° F) to 204° C (400° F).
- Bow and bolt are certified to meet charpy impact testing of 42 Joules (31 f • lbf) min. avg. at -20° C (-4° F).
- All 2160 shackles are individually proof tested and magnetic particle inspected. Crosby certification available at time of order.
- Shackles requiring ABS, Lloyds and other certifications are available upon special request and must be specified a time of order.
- Type approved and certification to DNV Rules for Certification of Lifting Appliances, and are produced in accordance with DNV MSA requirements. Databook is provided that includes required documents.
 - Serialization / Identification
 - Material Testing (Physical / Chemical / Charpy)
 - Proof Testing
- Look for the Red Pin® . . . the mark of genuine Crosby quality.



SEE APPLICATION INFORMATION

On Page 92 of the General Catalog
Para Español: www.thecrosbygroup.com

G-2160 / S-2160 Crosby® “Wide Body” Shackles

Working Load Limit (t)*	Stock No.		Weight Each (lb)	Dimensions (in)														Effective Body Diameter
	G-2160	S-2160		A	B +/- .25	C	D +/- .02	E	G	H	J	K	M	N	P	R		
7	1021256	1021548	4.0	4.14	1.25	.69	.88	1.82	1.25	3.56	1.60	1.25	-	-	4.10	5.87	2.1	
12.5	1021265	1021557	8.8	5.38	1.69	.92	1.13	2.38	1.37	4.63	2.13	1.63	-	-	5.51	7.63	2.4	
18	1021274	1021566	14.9	6.69	2.03	1.16	1.38	2.69	1.50	5.81	2.50	2.00	-	-	6.76	9.38	2.8	
30	1021283	1021575	26.5	7.69	2.37	1.38	1.63	3.50	2.50	6.94	3.13	2.50	-	-	8.50	11.38	4.1	
40	1021285	1021584	46.0	9.28	2.88	1.69	2.00	4.00	1.75	8.06	3.75	3.00	-	-	10.62	13.62	3.6	
55	1021287	1021593	68.0	10.36	3.25	2.00	2.25	4.63	2.00	9.36	4.50	3.50	-	-	12.26	15.63	4.3	
75	1022101	-	112	15.04	4.13	2.12	2.75	5.34	3.75	11.53	5.00	3.64	4.00	1.80	12.28	18.66	6.3	
125	1022110	-	193	17.70	5.12	2.66	3.15	6.50	3.75	14.37	5.91	4.33	4.00	1.80	15.47	23.00	6.8	
200	1022118	-	420	19.35	5.91	2.94	4.12	8.41	5.25	18.91	8.56	5.42	4.00	1.80	20.47	30.44	9.5	
300	1022127	-	805	22.61	7.38	3.84	5.25	10.50	6.13	23.63	10.38	6.31	4.00	1.80	24.00	37.66	11.4	
400	1021334	-	1143	30.27	8.66	5.16	6.30	12.56	7.99	22.64	12.60	7.28	4.00	1.80	27.17	38.78	14.3	
500	1021343	-	1439	33.35	9.84	5.73	7.09	13.39	8.09	24.81	13.39	8.86	4.00	1.80	31.10	42.72	14.8	
600	1021352	-	2132	36.02	10.83	6.23	7.87	15.50	13.00	27.56	14.57	9.74	5.75	2.25	34.05	47.24	20.3	
700	1021361	-	2579	38.91	11.81	6.59	8.46	17.03	8.87	28.94	15.75	10.63	5.75	2.25	37.01	50.18	16.6	
800	1021254	-	3025	41.66	12.80	7.30	9.06	17.69	9.76	29.53	16.54	10.92	5.75	2.25	38.39	52.09	18.0	
900	1021389	-	3678	43.73	13.78	7.78	9.84	18.81	13.00	29.82	18.81	11.52	5.75	2.25	40.35	54.59	22.4	
1000	1021370	-	4079	45.98	14.96	8.33	10.63	20.00	10.26	29.92	18.11	12.11	5.75	2.25	42.32	55.31	19.3	
1250	1021272	-	5320	49.86	16.99	9.16	11.81	22.56	13.92	36.61	20.87	12.70	-	-	46.26	65.35	24.4	
1550	1021281	-	8302	54.89	18.31	11.10	12.60	24.25	12.52	42.32	22.82	13.29	-	-	51.81	74.63	23.9	

*Note: Maximum Proof Load is 2 times the Working Load Limit on 75 thru 300 metric tons (except for 125 metric tons which is proof tested to 1.6 times the Working Load Limit). Minimum Ultimate Load is 5 times the Working Load Limit on 75 thru 300 metric tons. Maximum Proof Load is 1.33 times the Working Load Limit on 400 thru 1550 metric tons. Minimum Ultimate Load is 4.5 times the Working Load Limit on 400 thru 1550 metric tons.