

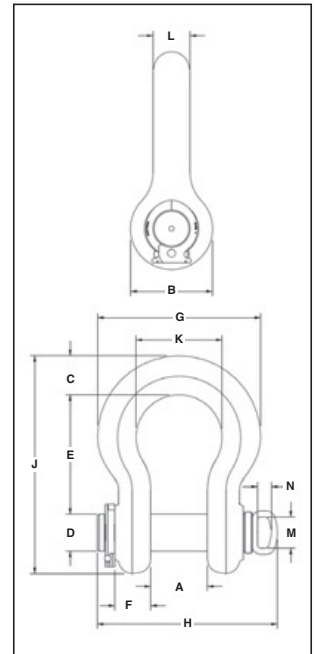
# Crosby® Alloy Easy-Loc® Shackles



## G-2140E

G-2140E meets the performance requirements of Federal Specification RR-C-271G, Type IVA, Grade B, Class 3, except for those provisions required of the contractor. For additional information, see page 452.

- Quenched and Tempered.
- Alloy bows, Alloy bolts.
- Forged Alloy Steel 200 thru 300 metric tons. Meets performance requirements of Grade 8 shackles.
- Working Load Limit is permanently shown on every shackle.
- 200, 250, and 300 metric ton shackle bows are Dimetcoated®; pins are Dimetcoated and painted red.
- All sizes are larger than 1-1/2 IN, **RFID EQUIPPED**.
- Approved for use at -40° C (-40° F) to 204° C (400° F).
- Shackles are Quenched and Tempered and can meet DNV impact requirements of 42 Joules (31 ft•lbf) at -20° C (-4° F).
- All sizes are individually proof tested to 2.0 times the Working Load Limit.
- Refer to page 87 for Crosby COLD TUFF® shackles that meet the additional requirements of DNV rules for certification of lifting applications - Loose Gea .
- Shackles are provided as follows:
  - Serialized bolt and bow
  - Material certification (chemical)
  - Magnetic particle inspected.
  - Certification must be requested at time of orde .
- Meets or exceeds all requirements of ASME B30.26 including identification, ductility, design factor, proof load and temperature requirements. Importantly, these shackles meet other critical performance requirements including impact properties and material traceability, not addressed by ASME B30.26.
- Type Approval certification in accordance with ABS 2016 Steel Vessel Rules and 2016 ABS Guide for Certification of Lifting Appliances. Certificates available when requested at time of order and may include additional charges.
- Look for the Red Pin® . . . the mark of genuine Crosby quality.



**SEE APPLICATION INFORMATION**  
On Page 92 of the General Catalog  
Para Español: [www.thecrosbygroup.com](http://www.thecrosbygroup.com)

## G-2140E Crosby® Alloy Easy-Loc Shackles

Nominal Shackle Size (in)	Working Load Limit (t)*	Stock No.	Weight Each (lb)	Dimensions (in)														Tolerance + / -	
				A	B	C	D +/- .02	E	F	G	H	J	K	L	M	N	A	E	
4-3/4	† 200	1021475	458	7.25	10.50	5.00	4.75	15.19	4.58	20.84	23.01	27.81	11.00	4.75	4.00	1.80	0.25	0.25	
5	† 250	1021484	597	8.50	12.00	5.63	5.00	18.50	4.48	23.63	23.84	32.63	13.00	5.00	4.00	1.80	0.25	0.25	
6	† 300	1021493	791	8.38	13.00	6.06	6.00	18.72	4.89	24.76	25.01	34.28	13.00	5.88	4.00	1.80	0.25	0.25	

\* Note: Maximum Proof Load is 2 times the Working Load Limit. For 200 thru 400 metric tons, Minimum Ultimate Load is 4 times the Working Load Limit. † Furnished with Round Head Bolts with a handle for handling. For Working Load Limit reduction due to side loading applications, see page 94.