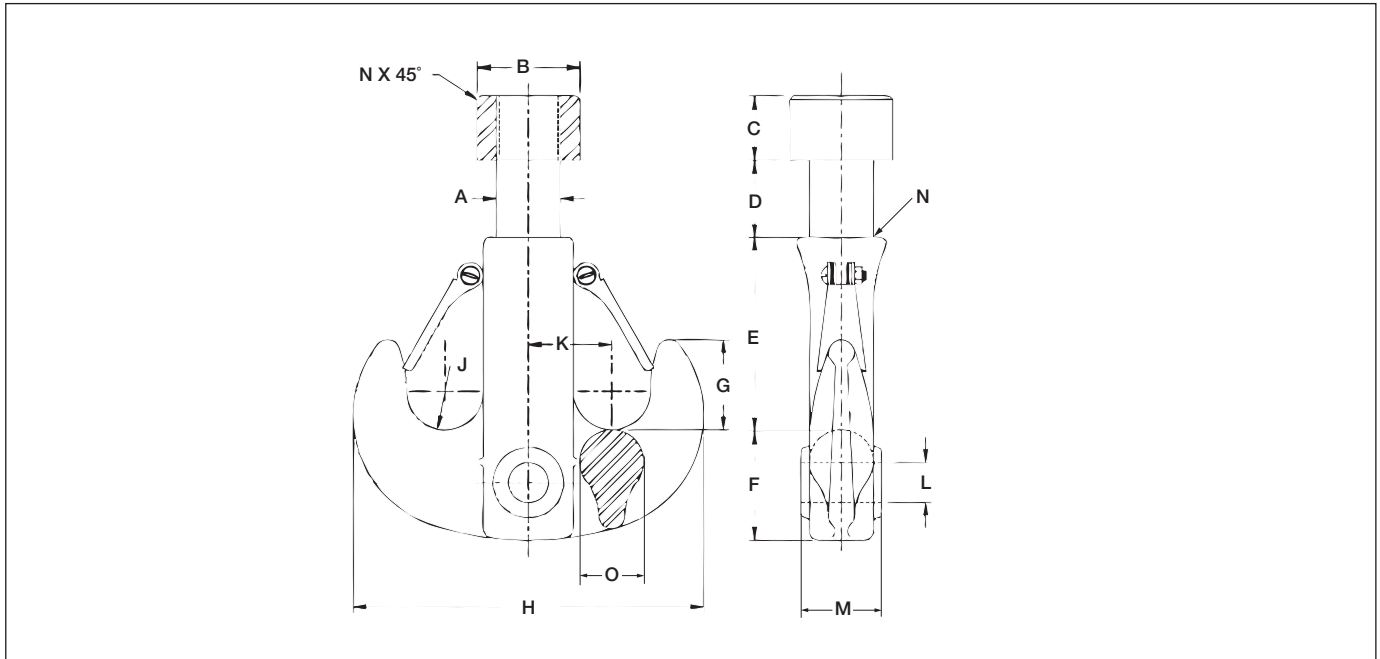


McKISSICK® DUPLEX HOOK ASSEMBLIES

- Cast alloy steel.
- Available in forged steel upon special request.
- **Can be machined to optional dimensions upon request.**
- Furnished complete with two flipper latches.
- The working load limits shown are in short tons (T) and applicable for loading up to an included sling angle of 90 degrees. For included sling angles up to 60 degrees, the hooks can be rated in metric tons (t).



Duplex Hook with Nut and Latches Dimensions (in)																	
Stock No. Hook Assembly	Size (Tons)	A	B	C	D	E	F	G	H	J	K	L	M	N	O	Weight Each (lb)	Replacement Latch Kit Stock No.
127384	25	2.50	4.00	2.50	3.00	7.50	4.31	3.50	13.75	1.50	3.25	2.06	2.75	.12	2.50	62	1090143
126802	50	3.00	4.88	3.00	3.25	10.00	5.50	5.00	18.50	2.00	4.25	2.81	3.75	.25	3.50	136	1090189
137373	75	4.00	7.50	4.00	4.00	13.50	8.00	6.50	25.00	2.50	5.50	3.31	4.62	.25	4.50	311	1090223
137364	100	5.00	9.00	5.00	5.50	16.00	9.00	9.00	30.00	3.00	6.75	3.81	5.00	.25	5.00	532	1090223
137266	125	5.00	9.00	5.00	5.50	19.00	10.00	9.00	31.50	3.00	7.50	4.31	5.25	.25	5.00	844	1090223
137355	150	6.00	10.00	6.00	6.00	19.00	10.00	9.00	31.50	3.00	7.50	4.31	5.25	.12	5.00	844	1090223
137346	200	7.00	12.00	6.00	8.25	20.50	12.75	10.50	36.50	3.50	8.00	4.81	6.75	.25	6.00	1085	1090241
137337	250	8.00	14.00	7.00	9.00	23.75	14.00	11.75	40.00	3.75	8.75	5.12	8.00	.25	7.00	1635	1090241
137328	350	8.00	15.50	8.00	10.00	24.00	16.00	12.00	45.25	4.25	10.25	7.16	9.50	.25	9.00	2423	143080
2022897	500	10.00	18.00	8.25	16.75	26.50	18.50	12.25	45.00	4.50	10.00	7.16	9.50	.25	9.00	3300	8022575*
137319	600	10.00	18.00	8.25	8.75	25.00	18.00	14.00	51.00	5.00	11.00	7.94	9.75	.25	9.00	3120	143071
+2031520	1000	12.00	23.00	10.00	22.00	36.50	28.75	16.00	69.50	4.50	17.00	10.75	14.50	—	11.50	7800	8015361*

Ultimate Load is 4 times the Working Load Limit.

* Bolt style latch.

+ 1000 ton has different prong profile than shown

For the purpose of calculating D/d ratio, utilize dimension O.

For additional information concerning custom design products, contact:

In U.S.A. — Crosby's Special Engineered Products Group at 1-800-777-1555, Fax (918) 834-5035.

In Canada — Crosby Canada at (877) 462-7672.

In Europe — N.V. Crosby Europe at (+32) 15 75 71 25.