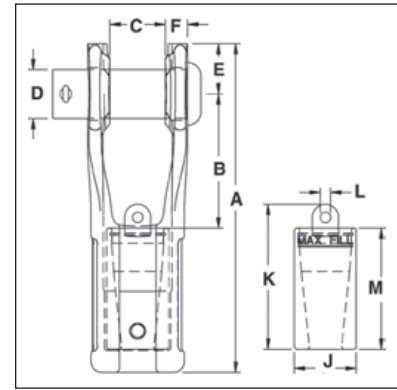


Button Spelter Sockets



**SB-427
Button Spelter
Socket**

- Available in six sizes from 1/2" to 1-1/2", (13mm - 38mm).
- Button Spelter terminations have a 100% efficiency rating, based on the catalog strength of the wire rope.
- Designed for use with mobile cranes. Can be used to terminate high performance, rotation resistant ropes, and standard 6 strand ropes.
- Easy to install assembly utilizes Crosby WIRELOCK® socketing compound.
- Sockets and buttons are re-usable.
- Replacement buttons and sockets are available.
- Locking feature available to prevent rotation of rope.
- Button contains cap with eye that can be attached to, and used to pull, rope during reeving process.
- Manufactured to the requirements of API-2C.



SB-427 Button Spelter Sockets

| Wire Rope Size | | SB-427 Stock No. | Ultimate Load (t) | Weight Each (lb) | Button Only Stock No. | Dimensions (in) | | | | | | | | | | Tolerance +/- |
|----------------|-------|------------------|-------------------|------------------|-----------------------|-----------------|------|------|------|------|------|------|------|-----|------|---------------|
| (in) | (mm) | | | | | A | B | C | D | E | F | J | K | L | M | C |
| 1/2 - 5/8 | 13-16 | 1052005 | 27 | 6.1 | 1052309 | 7.94 | 3.23 | 1.28 | 1.19 | 1.22 | .57 | 1.50 | 3.50 | .25 | 2.93 | .06 |
| 5/8 - 3/4 | 16-19 | 1052014 | 45 | 10.3 | 1052318 | 9.44 | 3.88 | 1.53 | 1.38 | 1.44 | .66 | 1.75 | 4.28 | .38 | 3.43 | .06 |
| 3/4 - 7/8 | 19-22 | 1052023 | 57 | 17.1 | 1052327 | 10.81 | 4.41 | 1.78 | 1.62 | 1.69 | .75 | 2.06 | 4.78 | .38 | 3.96 | .06 |
| 7/8 - 1 | 22-26 | 1052032 | 82 | 29.2 | 1052336 | 12.88 | 5.48 | 2.03 | 2.00 | 2.00 | .89 | 2.44 | 5.62 | .62 | 4.52 | .09 |
| 1-1/8 - 1-1/4 | 28-32 | 1052041 | 136 | 46.0 | 1052345 | 14.90 | 5.68 | 2.53 | 2.25 | 2.50 | 1.11 | 2.94 | 7.08 | .75 | 5.72 | .09 |
| 1-3/8 - 1-1/2 | 35-38 | 1052050 | 161 | 78.0 | 1052354 | 18.06 | 7.17 | 3.03 | 2.75 | 2.75 | 1.24 | 3.62 | 8.08 | .75 | 6.76 | .09 |

SB-427TB (Bolt, Nut and Cotter Pin)

| Wire Rope Size | | SB-427TB Stock No. | Ultimate Load (t) | Weight Each (lb) | Button Only Stock No. | Dimensions (in) | | | | | | | | | | Tolerance +/- |
|----------------|-------|--------------------|-------------------|------------------|-----------------------|-----------------|------|------|------|------|------|------|------|-----|------|---------------|
| (in) | (mm) | | | | | A | B | C | D | E | F | J | K | L | M | C |
| 1/2 - 5/8 | 13-16 | 1052406 | 27 | 6.1 | 1052309 | 7.94 | 3.23 | 1.28 | 1.19 | 1.22 | .57 | 1.50 | 3.50 | .25 | 2.93 | .06 |
| 5/8 - 3/4 | 16-19 | 1052415 | 45 | 10.3 | 1052318 | 9.44 | 3.88 | 1.53 | 1.38 | 1.44 | .66 | 1.75 | 4.28 | .38 | 3.43 | .06 |
| 3/4 - 7/8 | 19-22 | 1052424 | 57 | 17.1 | 1052327 | 10.81 | 4.41 | 1.78 | 1.62 | 1.69 | .75 | 2.06 | 4.78 | .38 | 3.96 | .06 |
| 7/8 - 1 | 22-26 | 1052433 | 82 | 29.2 | 1052336 | 12.88 | 5.48 | 2.03 | 2.00 | 2.00 | .89 | 2.44 | 5.62 | .62 | 4.52 | .09 |
| 1-1/8 - 1-1/4 | 28-32 | 1052442 | 136 | 46.0 | 1052345 | 14.90 | 5.68 | 2.53 | 2.25 | 2.50 | 1.11 | 2.94 | 7.08 | .75 | 5.72 | .09 |
| 1-3/8 - 1-1/2 | 35-38 | 1052451 | 161 | 78.0 | 1052354 | 18.06 | 7.17 | 3.03 | 2.75 | 2.75 | 1.24 | 3.62 | 8.08 | .75 | 6.76 | .09 |

Wirelock® Requirements

| Wire Rope Size | | WIRELOCK Required (cc) | WIRELOCK Stock No. | WIRELOCK Kit Size (cc) |
|----------------|-------|------------------------|--------------------|------------------------|
| (in) | (mm) | | | |
| 1/2 - 5/8 | 13-16 | 35 | 1039602 | 100 |
| 5/8 - 3/4 | 16-19 | 60 | 1039602 | 100 |
| 3/4 - 7/8 | 19-22 | 100 | 1039602 | 100 |
| 7/8 - 1 | 22-26 | 140 | 1039602* | 100 |
| 1-1/8 - 1-1/4 | 28-32 | 250 | 1039604 | 250 |
| 1-3/8 - 1-1/2 | 35-38 | 420 | 1039606 | 500 |

* 2 kits required.



Scan this QR code with your smart device to view our Wedge and Button Sockets video.