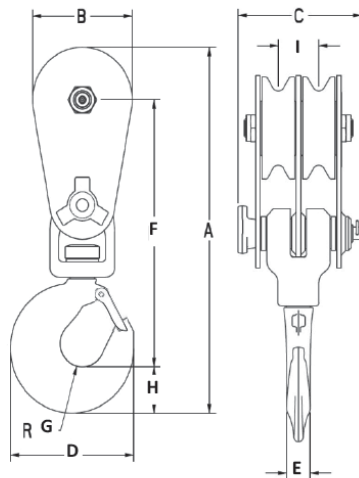


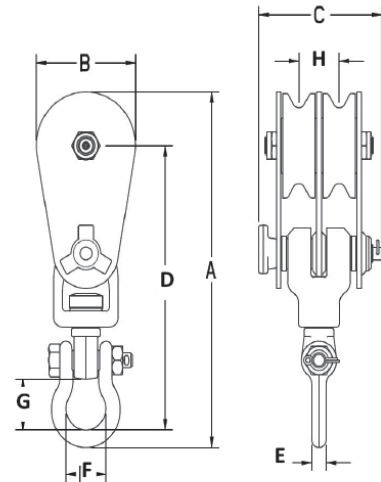
## LIGHT CHAMPION DOUBLE SHEAVE, 4-12t



**408**  
With Hook



With Shackle



- Light champion snatch block as a double sheave block.
- Drop forged swivel hook or swivel shackle.
- Can be furnished with bronze bushings or roller bearings.
- Opening feature permits easy insertion of Wireline in both sheaves with removal of one bolt.
- 408 is furnished with S-4320 hook latch.
- Center Pin equipped with pressure lube fittings.
- All sizes feature sheave grooves suited for a range of wire line diameters.
- Meets or exceeds all requirements of ASME B30.26 including identification, ductility, design factor, proof load and temperature requirements. Importantly, these blocks meet other critical performance requirements including fatigue life and material traceability, not addressed by ASME B30.26.
- Crosby's Engineered Solutions Group is ready to discuss your requirements and help select or develop the ideal block for your application. Call us at 1-800-777-1555.

### 408 Light Champion Double Sheave with Hook

Working Load Limit (t)*	Wire Rope Size (in)	Sheave Diameter (in)	Bearing Code	Weight Each (lb)	Catalog No.	Stock No.	Dimensions (in)									
							A	B	C	D	E	F	G	H	I	
4 tonnes																
4	3/8 - 1/2	4.5	BB	18	408	104023	14.77	4.24	5.25	5.24	1.00	10.78	0.94	1.87	1.72	
12 tonnes																
12	5/8 - 3/4	6	BB	45	408	104103	21.12	6.00	6.13	7.86	1.56	15.50	1.44	2.62	2.03	
12	5/8 - 3/4	6	RB	45	408	104121	21.12	6.00	6.13	7.86	1.56	15.50	1.44	2.62	2.03	
12	5/8 - 3/4	8	BB	53	408	104185	23.18	8.12	6.13	7.86	1.56	16.50	1.44	2.62	2.03	
12	5/8 - 3/4	8	RB	53	408	104201	23.18	8.12	6.13	7.86	1.56	16.50	1.44	2.62	2.03	

\* Ultimate Load is 4 times the Working Load Limit.

### 409 Light Champion Double Sheave with Shackle

Working Load Limit (t)*	Wire Rope Size (in)	Sheave Diameter (in)	Bearing Code	Weight Each (lb)	Catalog No.	Stock No.	Dimensions (in)								
							A	B	C	D	E	F	G	H	
4 tonnes															
4	3/8 - 1/2	4.5	BB	18	409	105022	14.03	4.24	5.25	11.22	0.62	1.70	2.01	1.72	
12 tonnes															
12	5/8 - 3/4	6	BB	50	409	105102	21.12	6.00	6.13	16.36	1.50	3.12	3.12	2.03	
12	5/8 - 3/4	6	RB	50	409	105120	21.12	6.00	6.13	16.36	1.50	3.12	3.12	2.03	
12	5/8 - 3/4	8	BB	58	409	105184	23.17	8.12	6.13	17.36	1.50	3.12	3.12	2.03	
12	5/8 - 3/4	8	RB	58	409	105200	23.17	8.12	6.13	17.36	1.50	3.12	3.12	2.03	

\* Ultimate Load is 4 times the Working Load Limit.