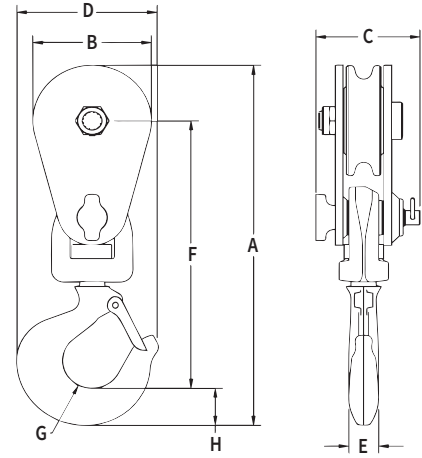


McKissick® Snatch Blocks

HOOK FITTING, SINGLE SHEAVE, 2-12t



- Opening feature permits easy insertion of rope without reeving, or while the block is suspended.
- Bolt for opening feature is retained, to ensure no lost bolts.
- Forged steel swivel tees, yokes and hooks.
- Furnished with a latch installed.
- Can be furnished with bronze bushings or roller bearings.
- Center pin equipped with pressure lube fitting.
- All sizes feature sheave grooves suited for a range of wire line diameters.
- Meets or exceeds all requirements of ASME B30.26 including identification ductility, design factor, proof load and temperature requirements.

Importantly, these blocks meet other critical performance requirements including fatigue life and material traceability, not addressed by ASME B30.26.

- "All Alloy" snatch blocks feature a significant reduction in weight compared to snatch blocks made of non-alloy materials.
- "Lebus General Purpose" snatch blocks (with shackle or hook) feature an easy-to-open bolt design. The retaining bolt is released by rotating the fitting assembly, no tools required.
- Crosby's Engineered Solutions Group is ready to discuss your requirements and help select or develop the ideal block for your application. Call us at 1-800-777-1555.

Working Load Limit (t)*	Wire Rope Size (in)	Sheave Diameter (in)	Bearing Code	Weight Each (lb)	Catalog No.	Description	Stock No.	Dimensions (in)							
								A	B	C	D	E	F	G	H
2 tonnes															
2	5/16 - 3/8	3	BB	5	418	Light Champion	108038	9.74	3.00	2.64	3.59	0.75	7.24	0.75	1.00
4 tonnes															
4	3/8 - 1/2	4.5	BB	12	418	Light Champion	108065	14.12	4.24	3.13	5.24	1.00	10.13	0.94	1.87
5 tonnes															
5	3/8 - 1/2 ‡	4	BB	11	L-170	Lebus, General Purpose	599800	14.62	4.56	2.94	5.24	1.00	10.50	0.94	1.87
5	3/8 - 1/2 ‡	4	RB	11	L-170	Lebus, General Purpose	599819	14.62	4.56	2.94	5.24	1.00	10.50	0.94	1.87
6 tonnes															
6**	3/8 - 1/2	5	BB	13	L-160	Lebus, Heavy Duty	599506	14.56	5.12	3.69	5.24	1.00	10.13	0.94	1.87
6**	3/8 - 1/2	5	RB	13	L-160	Lebus, Heavy Duty	599515	14.56	5.12	3.69	5.24	1.00	10.13	0.94	1.87
7 Tons															
7T**	3/4 - 7/8	6	BB	28	C-720	Heavy Duty Utility	280010	16.14	6.00	3.81	6.27	1.44	11.33	1.25	1.61
8 tonnes															
8	5/8 - 3/4	6	BB	27	418	Light Champion	108127	18.95	6.00	4.19	6.81	1.56	13.55	1.31	2.41
8	5/8 - 3/4	6	RB	27	418	Light Champion	108154	18.95	6.00	4.19	6.81	1.56	13.55	1.31	2.41
8	5/8 - 3/4	8	BB	33	418	Light Champion	108225	21.01	8.12	4.19	6.81	1.56	14.54	1.31	2.41
8	5/8 - 3/4	8	RB	33	418	Light Champion	108252	21.01	8.12	4.19	6.81	1.56	14.54	1.31	2.41
8	5/8 - 3/4	10	BB	41	418	Light Champion	108323	23.08	10.12	4.19	6.81	1.56	15.61	1.31	2.41
8	5/8 - 3/4	10	RB	41	418	Light Champion	108350	23.08	10.12	4.19	6.81	1.56	15.61	1.31	2.41
8	5/8 - 3/4	12	BB	48	418	Light Champion	108421	25.89	12.12	4.16	6.81	1.56	17.42	1.31	2.41
8	5/8 - 3/4	12	RB	48	418	Light Champion	108458	25.89	12.12	4.16	6.81	1.56	17.42	1.31	2.41
8	5/8 - 3/4	14	BB	55	418	Light Champion	108528	27.39	14.12	4.19	6.81	1.56	17.92	1.31	2.41
8	5/8 - 3/4	14	RB	55	418	Light Champion	108546	27.39	14.12	4.19	6.81	1.56	17.92	1.31	2.41
12 tonnes															
12**	5/8 - 3/4	5.75	BB	29	L-160	Lebus, Heavy Duty	599560	19.99	6.00	4.19	7.88	1.56	14.37	1.44	2.62
12**	5/8 - 3/4	5.75	RB	29	L-160	Lebus, Heavy Duty	599579	19.99	6.00	4.19	7.88	1.56	14.37	1.44	2.62
12	3/4 - 7/8	6	BB	26	416	All Alloy	193427	19.89	6.00	4.19	7.88	1.56	14.27	1.44	2.62
12	3/4 - 7/8	6	RB	26	416	All Alloy	193472	19.89	6.00	4.19	7.88	1.56	14.27	1.44	2.62
12	3/4 - 7/8	8	BB	33	416	All Alloy	193490	21.95	8.12	4.19	7.88	1.56	15.27	1.44	2.62
12	3/4 - 7/8	8	RB	33	416	All Alloy	193542	21.95	8.12	4.19	7.88	1.56	15.27	1.44	2.62
12	3/4 - 7/8	10	BB	41	416	All Alloy	193613	24.02	10.12	4.19	7.88	1.56	16.34	1.44	2.62
12	3/4 - 7/8	10	RB	41	416	All Alloy	193677	24.02	10.12	4.19	7.88	1.56	16.34	1.44	2.62

* Ultimate Load is 4 times the Working Load Limit. ** Ultimate Load is 3.5 times the Working Load Limit. ‡ Special Dual Groove Sheave also accepts 1-1/4" Manilla Rope