

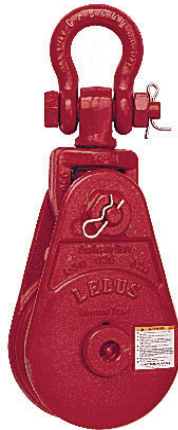
SHACKLE FITTING, SINGLE SHEAVE, 2-12t



419



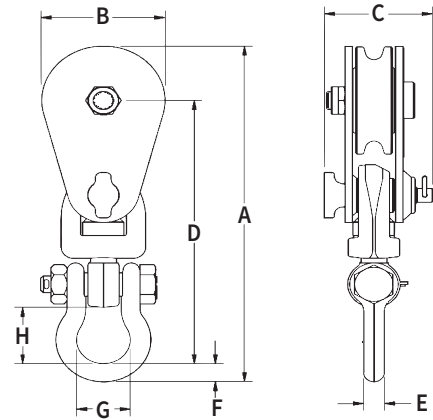
L-170



L-160



417



- Opening feature permits easy insertion of rope without reeving, or while the block is suspended.
- Bolt for opening feature is retained, to ensure no lost bolts.
- Forged steel swivel tees, yokes and shackles.
- Can be furnished with bronze bushings or roller bearings.
- Center pin equipped with pressure lube fitting.
- All sizes feature sheave grooves suited for a range of wire line diameters.
- Meets or exceeds all requirements of ASME B30.26 including identification ductility, design factor, proof load and temperature requirements. Importantly, these blocks meet other critical performance

requirements including fatigue life and material traceability, not addressed by ASME B30.26.

- "All Alloy" snatch blocks feature a significant reduction in weight compared to snatch blocks made of non-alloy materials.
- "Lebus, General Purpose" snatch blocks (with shackle or hook) feature an easy-to-open bolt design. The retaining bolt is released by rotating the fitting assembly, no tools required.
- Crosby's Engineered Solutions Group is ready to discuss your requirements and help select or develop the ideal block for your application. Call us at 1-800-777-1555.

Working Load Limit (t)*	Wire Rope Size (in)	Sheave Diameter (in)	Bearing Code	Weight Each (lb)	Catalog No.	Description	Stock No.	Dimensions (in)							
								A	B	C	D	E	F	G	H
2 tonnes															
2	5/16 - 3/8	3	BB	4	419 w/Eye	Light Champion	109037 †	8.67	3.00	2.64	6.61	0.56	0.56	1.38	1.38
2	5/16 - 3/8	3	BB	5	419	Light Champion	109091	9.27	3.00	2.64	7.27	0.50	0.50	1.32	1.56
4 tonnes															
4	3/8 - 1/2	4.5	BB	12	419	Light Champion	109064	13.38	4.24	3.13	10.57	0.62	0.69	1.70	2.00
5 tonnes															
5	3/8 - 1/2 ‡	4	BB	11	L-170	Lebus, General Purpose	599828	13.88	4.50	2.94	10.94	0.62	0.69	1.70	2.00
5	3/8 - 1/2 ‡	4	RB	11	L-170	Lebus, General Purpose	599837	13.88	4.50	2.94	10.94	0.62	0.69	1.70	2.00
6 tonnes															
6**	3/8 - 1/2	5	BB	13	L-160	Lebus, Heavy Duty	599524	13.82	5.12	3.69	10.57	0.62	0.69	1.70	2.00
6**	3/8 - 1/2	5	RB	13	L-160	Lebus, Heavy Duty	599533	13.82	5.12	3.69	10.57	0.62	0.69	1.70	2.00
8 tonnes															
8	5/8 - 3/4	6	BB	28	419	Light Champion	109126	18.93	6.00	4.19	14.68	1.25	1.25	3.00	3.47
8	5/8 - 3/4	6	RB	28	419	Light Champion	109153	18.93	6.00	4.19	14.68	1.25	1.25	3.00	3.47
8	5/8 - 3/4	8	BB	33	419	Light Champion	109224	20.99	8.12	4.19	15.68	1.25	1.25	3.00	3.47
8	5/8 - 3/4	8	RB	33	419	Light Champion	109251	20.99	8.12	4.19	15.68	1.25	1.25	3.00	3.47
8	5/8 - 3/4	10	BB	43	419	Light Champion	109322	23.06	10.12	4.19	16.75	1.25	1.25	3.00	3.47
8	5/8 - 3/4	10	RB	43	419	Light Champion	109359	23.06	10.12	4.19	16.75	1.25	1.25	3.00	3.47
8	5/8 - 3/4	12	BB	55	419	Light Champion	109420	25.87	12.12	4.19	18.56	1.25	1.25	3.00	3.47
8	5/8 - 3/4	12	RB	55	419	Light Champion	109457	25.87	12.12	4.19	18.56	1.25	1.25	3.00	3.47
8	5/8 - 3/4	14	BB	67	419	Light Champion	109527	27.37	14.12	4.19	19.06	1.25	1.25	3.00	3.47
8	5/8 - 3/4	14	RB	67	419	Light Champion	109545	27.37	14.12	4.19	19.06	1.25	1.25	3.00	3.47
12 tonnes															
12**	5/8 - 3/4	5.75	BB	29	L-160	Lebus, Heavy Duty	599588	19.03	6.00	4.19	14.78	1.25	1.25	3.00	3.47
12**	5/8 - 3/4	5.75	RB	29	L-160	Lebus, Heavy Duty	599597	19.03	6.00	4.19	14.78	1.25	1.25	3.00	3.47
12	3/4 - 7/8	6	BB	28	417	All Alloy	168972	18.93	6.00	4.19	14.68	1.25	1.25	3.00	3.47
12	3/4 - 7/8	6	RB	28	417	All Alloy	193757	18.93	6.00	4.19	14.68	1.25	1.25	3.00	3.47
12	3/4 - 7/8	8	BB	34	417	All Alloy	168990	20.99	8.12	4.19	15.68	1.25	1.25	3.00	3.47
12	3/4 - 7/8	8	RB	34	417	All Alloy	193819	20.99	8.12	4.19	15.68	1.25	1.25	3.00	3.47
12	3/4 - 7/8	10	BB	42	417	All Alloy	193882	23.06	10.12	4.19	16.75	1.25	1.25	3.00	3.47
12	3/4 - 7/8	10	RB	42	417	All Alloy	193935	23.06	10.12	4.19	16.75	1.25	1.25	3.00	3.47

* Ultimate Load is 4 times the Working Load Limit. ** Ultimate Load is 3.5 times the Working Load Limit. † Fitted with 1-1/4" ID Swivel Eye. ‡ Special Dual Groove Sheave also accepts 1-1/4" Manila Rope.