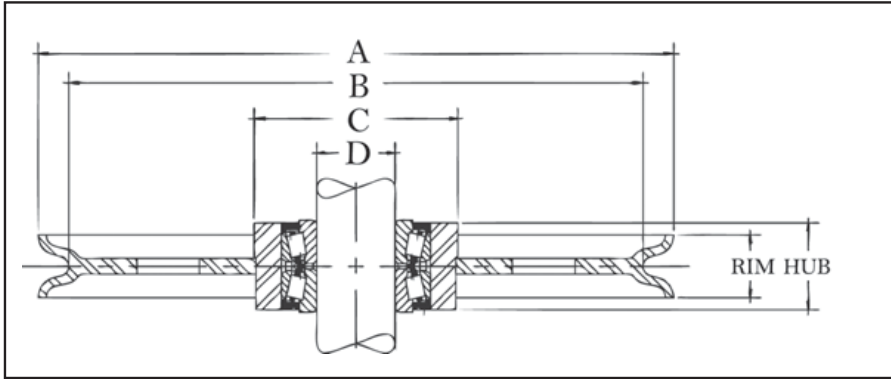


# McKissick® Tapered Bearing Sheaves



## Tapered Bearing Sheaves

- Roll-Forged sheaves are available in sizes up to 78" in diameter.
- Tapered Bearing Sheaves are designed to operate on shafts machined to +/- .0005 of the indicated shaft size.
- Applications should provide for tightening separator plates against bearing cones to adjust and insure proper function of bearing.
- For sizes not listed, McKissick® Finished Bore Sheaves can be equipped with tapered bearing at an optional charge.

| "A" Nominal Outside Diameter (in) | Stock Number    | Wire Line Size (in) | "D" Shaft Size (in) | Hub Width (in) | Rim Width (in) | "C" Nominal Hub Outside Diameter (in) | "B" Nominal Tread Diameter (in) | Material    | Approx. Weight (lb) |
|-----------------------------------|-----------------|---------------------|---------------------|----------------|----------------|---------------------------------------|---------------------------------|-------------|---------------------|
| 4-7/8                             | 480269          | 3/8                 | .749                | 1-3/8          | 1-1/8          | 2-1/4                                 | 4-1/16                          | F.S.        | 3.60                |
| 7                                 | 480777          | 1/4                 | .749                | 1-3/8          | 3/4            | 2-3/8                                 | 6-1/4                           | B.S.        | 9.00                |
| 8                                 | 481017          | 1/2                 | .749                | 1-3/8          | 1-1/4          | 2-7/16                                | 6-5/8                           | F.S.        | 7.00                |
| 8-1/2                             | 481044          | 3/8                 | .749                | 1-3/8          | 1              | 2-3/4                                 | 7-1/2                           | D.I.        | 7.50                |
| 9-3/4                             | 481295          | 3/8                 | 1.499               | 2-5/16         | 1              | 3-3/4                                 | 8-3/4                           | F.S.        | 11.20               |
| 11-7/8                            | 481552          | 1/4                 | 1.499               | 2-5/16         | 1              | 3-3/4                                 | 10-3/4                          | D.I.        | 12.0                |
| <b>12</b>                         | <b>481455</b>   | <b>3/4</b>          | <b>1.499</b>        | <b>2-5/16</b>  | <b>2-3/16</b>  | <b>4-1/2</b>                          | <b>9-3/4</b>                    | <b>R.F.</b> | <b>24.0</b>         |
| <b>12</b>                         | <b>481446</b>   | <b>7/8</b>          | <b>1.499</b>        | <b>2-5/16</b>  | <b>2-3/16</b>  | <b>4-1/2</b>                          | <b>10-1/4</b>                   | <b>R.F.</b> | <b>24.0</b>         |
| <b>16</b>                         | <b>4302793</b>  | <b>1/2</b>          | <b>1.998</b>        | <b>2-15/16</b> | <b>2-1/2</b>   | <b>5-3/4</b>                          | <b>14-1/4</b>                   | <b>R.F.</b> | <b>50.0</b>         |
| <b>16</b>                         | <b>4300599</b>  | <b>3/4</b>          | <b>1.998</b>        | <b>2-15/16</b> | <b>2-1/2</b>   | <b>5-3/4</b>                          | <b>13-3/8</b>                   | <b>R.F.</b> | <b>55.0</b>         |
| <b>16</b>                         | <b>4300018</b>  | <b>7/8</b>          | <b>1.499</b>        | <b>2-5/16</b>  | <b>2-3/16</b>  | <b>4-1/2</b>                          | <b>12-15/16</b>                 | <b>R.F.</b> | <b>37.0</b>         |
| <b>16</b>                         | <b>4300054</b>  | <b>1</b>            | <b>1.998</b>        | <b>2-15/16</b> | <b>2-1/2</b>   | <b>5-3/4</b>                          | <b>13-3/8</b>                   | <b>R.F.</b> | <b>42.0</b>         |
| <b>18</b>                         | <b>4300081</b>  | <b>3/4</b>          | <b>1.998</b>        | <b>2-15/16</b> | <b>2-3/16</b>  | <b>6-1/2</b>                          | <b>16</b>                       | <b>R.F.</b> | <b>40.0</b>         |
| <b>20</b>                         | <b>*4302524</b> | <b>5/16</b>         | <b>1.998</b>        | <b>2-15/16</b> | <b>1-3/8</b>   | <b>5-3/4</b>                          | <b>18-7/8</b>                   | <b>R.F.</b> | <b>54.0</b>         |
| <b>20</b>                         | <b>4300161</b>  | <b>3/4</b>          | <b>1.998</b>        | <b>2-15/16</b> | <b>2-1/8</b>   | <b>6-1/2</b>                          | <b>18</b>                       | <b>R.F.</b> | <b>87.0</b>         |
| <b>20</b>                         | <b>4300189</b>  | <b>1</b>            | <b>1.998</b>        | <b>2-15/16</b> | <b>2-1/8</b>   | <b>6-1/2</b>                          | <b>16-1/2</b>                   | <b>R.F.</b> | <b>84.0</b>         |
| <b>24</b>                         | <b>4301721</b>  | <b>9/16</b>         | <b>4.248</b>        | <b>3-1/2</b>   | <b>3-1/8</b>   | <b>8</b>                              | <b>22</b>                       | <b>R.F.</b> | <b>125</b>          |
| <b>24</b>                         | <b>*4302720</b> | <b>5/8</b>          | <b>2.755</b>        | <b>2-15/16</b> | <b>1-1/2</b>   | <b>6-1/2</b>                          | <b>21-3/4</b>                   | <b>R.F.</b> | <b>136</b>          |
| <b>24</b>                         | <b>4300312</b>  | <b>7/8</b>          | <b>4.248</b>        | <b>3-1/2</b>   | <b>3-1/8</b>   | <b>8</b>                              | <b>20-7/8</b>                   | <b>R.F.</b> | <b>125</b>          |
| <b>24</b>                         | <b>4300321</b>  | <b>1</b>            | <b>4.248</b>        | <b>3-1/2</b>   | <b>3-1/8</b>   | <b>7-5/8</b>                          | <b>21-1/8</b>                   | <b>R.F.</b> | <b>125</b>          |
| <b>24</b>                         | <b>4300401</b>  | <b>1-1/8</b>        | <b>2.755</b>        | <b>2-15/16</b> | <b>2-3/4</b>   | <b>6-1/2</b>                          | <b>20-1/16</b>                  | <b>R.F.</b> | <b>80.0</b>         |
| <b>24</b>                         | <b>4300330</b>  | <b>1-1/8</b>        | <b>4.248</b>        | <b>3-1/2</b>   | <b>3-1/8</b>   | <b>8</b>                              | <b>20-1/16</b>                  | <b>R.F.</b> | <b>125</b>          |
| <b>24</b>                         | <b>4300269</b>  | <b>1-1/2</b>        | <b>4.248</b>        | <b>3-1/2</b>   | <b>3-1/8</b>   | <b>8-1/4</b>                          | <b>20</b>                       | <b>R.F.</b> | <b>125</b>          |
| <b>30</b>                         | <b>4300483</b>  | <b>7/8</b>          | <b>4.248</b>        | <b>3-1/2</b>   | <b>3-1/8</b>   | <b>8</b>                              | <b>27</b>                       | <b>R.F.</b> | <b>140</b>          |
| <b>30</b>                         | <b>4300492</b>  | <b>1</b>            | <b>4.248</b>        | <b>3-1/2</b>   | <b>3-1/8</b>   | <b>7-5/8</b>                          | <b>26.5</b>                     | <b>R.F.</b> | <b>210</b>          |
| <b>30</b>                         | <b>4300526</b>  | <b>1</b>            | <b>5.624</b>        | <b>3-11/16</b> | <b>3-1/8</b>   | <b>9-1/2</b>                          | <b>27</b>                       | <b>R.F.</b> | <b>190</b>          |
| <b>30</b>                         | <b>4300508</b>  | <b>1-1/8</b>        | <b>4.248</b>        | <b>3-1/2</b>   | <b>3-1/8</b>   | <b>8</b>                              | <b>27</b>                       | <b>R.F.</b> | <b>140</b>          |
| <b>30</b>                         | <b>4300535</b>  | <b>1-1/8</b>        | <b>5.624</b>        | <b>3-11/16</b> | <b>3-1/8</b>   | <b>9-1/2</b>                          | <b>26-3/8</b>                   | <b>R.F.</b> | <b>140</b>          |
| <b>30</b>                         | <b>4300704</b>  | <b>1-1/4</b>        | <b>5.624</b>        | <b>3-11/16</b> | <b>3-1/8</b>   | <b>9-1/2</b>                          | <b>26-3/8</b>                   | <b>R.F.</b> | <b>140</b>          |

\* Without Flame Harden groove.

Material: B.S.=Bar Steel, C.I.=Cast Iron, F.S.=Forged Steel, D.I.=Ductile Iron, C.S.=Cast Steel, P.M.=Powdered Metal, R.F.=RollForged.

McKissick® Roll-Forged sheaves highlighted above in bold italic are available with reduced lead times due to our advanced manufacturing process.

Custom sheaves are available. See page 287 for ordering details.