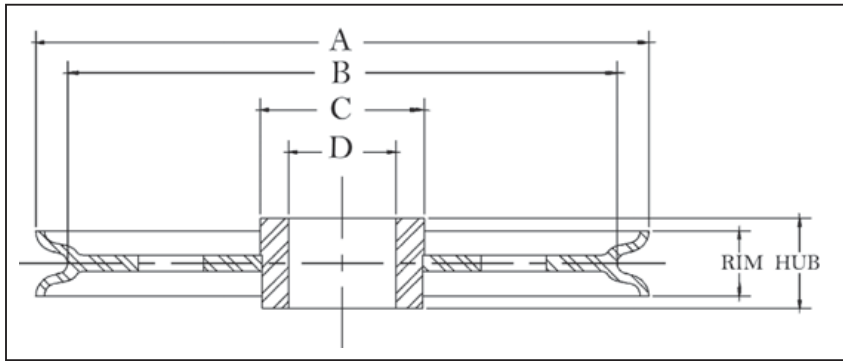


McKissick® Common Bore Sheaves



Common Bore Sheaves

- Roll-Forged sheaves are available in sizes up to 78" in diameter.
- Common Bore or Plain Bore are terms used when there is merely a hole bored in the center of the sheave.
- Common Bore Sheaves are machined for a running fit for the shaft size listed

"A" Nominal Outside Diameter (in)	Stock Number	Wire Line Size (in)	"D" Bore Size (in)	Hub Width (in)	Rim Width (in)	"C" Nominal Hub Outside Diameter (in)	"B" Nominal Tread Diameter (in)	Material	Approx. Weight (lb)
3	905051	3/16	3/8	25/32	3/4	1	2-3/8	P.M.	1.00
3	905079	3/16	1/2	25/32	3/4	1	2-3/8	P.M.	1.00
3	905097	3/16	5/8	25/32	3/4	1	2-3/8	P.M.	1.00
3	905024	1/4	3/8	1/2	1/2	1	2-5/8	P.M.	.75
3	905042	1/4	1/2	1/2	1/2	1	2-5/8	P.M.	.75
3	15410	3/8	3/8	25/32	3/4	1	2-3/8	P.M.	1.00
3	905088	3/8	1/2	25/32	3/4	1	2-3/8	P.M.	1.00
3	905104	3/8	5/8	25/32	3/4	1	2-3/8	P.M.	.60
4	905113	3/16	1/2	3/4	5/8	1-3/8	3-1/2	P.M.	1.00
4	905131	3/16	5/8	3/4	5/8	1-3/8	3-1/2	P.M.	1.00
4	905122	5/16	1/2	3/4	5/8	1-3/8	3-1/2	P.M.	1.00
4	905140	5/16	5/8	3/4	5/8	1-3/8	3-1/2	P.M.	1.00
4	905168	3/8	1/2	13/16	3/4	1-1/2	3-1/4	P.M.	1.25
4	905186	3/8	5/8	13/16	3/4	1-1/2	3-1/4	P.M.	1.25
4	905202	3/8	3/4	13/16	3/4	1-1/2	3-1/4	P.M.	1.25
4	905220	1/2	1/2	1-1/16	1	1-5/8	3-3/16	P.M.	1.50
4	905248	1/2	5/8	1-1/16	1	1-5/8	3-3/16	P.M.	1.50
4	905266	1/2	3/4	1-1/16	1	1-5/8	3-3/16	P.M.	1.50
5	905275	3/16	5/8	15/16	7/8	2-1/4	4-1/4	P.M.	2.25
5	905293	3/16	3/4	15/16	7/8	2-1/4	4-1/4	P.M.	2.25
5	905284	3/8	5/8	15/16	7/8	2-1/4	4-1/4	P.M.	2.75
5	905300	3/8	3/4	15/16	7/8	2-1/4	4-1/4	P.M.	2.25
5	905328	1/2	5/8	1-1/16	1	2-1/4	4	P.M.	2.50
5	905364	1/2	5/8	1-3/16	1-1/8	2-1/4	4	D.I.	4.00
5	905346	1/2	3/4	1-1/16	1	2-1/4	4	P.M.	2.50
5	905382	1/2	3/4	1-3/16	1-1/8	2-1/4	4	D.I.	4.00
5	905408	1/2	7/8	1-3/16	1-1/8	2-1/4	4	D.I.	4.00
6	905426	3/8	1/2	13/16	3/4	1-7/8	5	D.I.	2.50
6	905480	3/8	1/2	1-1/16	1	1-7/8	5	D.I.	2.50
6	905462	3/8	3/4	13/16	3/4	1-7/8	5	P.M.	2.50
6	905523	3/8	3/4	1-1/16	1	1-7/8	5	P.M.	4.16
6	909020	1/2	7/8	1-1/16	1	1-7/8	4-7/8	P.M.	3.75
6	909066	5/8	3/4	1-5/16	1-1/4	1-7/8	4-3/4	P.M.	3.75
6	909084	5/8	7/8	1-5/16	1-1/4	1-7/8	4-3/4	P.M.	3.75
6	909100	5/8	1	1-5/16	1-1/4	1-7/8	4-3/4	P.M.	3.75
6	909164	3/4	1	1-9/16	1-1/2	3	4-5/8	P.M.	6.75
6-3/4	905694	1/4	3/4	1-3/16	1-1/8	2	5-7/8	D.I.	5.00
6-3/4	905710	1/4	1	1-3/16	1-1/8	2	5-7/8	D.I.	5.00
6-3/4	905701	3/8	3/4	1-3/16	1-1/8	2	5-7/8	D.I.	5.00
6-3/4	905729	3/8	1	1-3/16	1-1/8	2	5-7/8	D.I.	5.00
7	905621	1/2	3/4	1-1/16	1	2	5-1/2	D.I.	5.25
7	905649	1/2	7/8	1-1/16	1	2	5-1/2	D.I.	5.25
8	905747	1/2	3/4	1-1/8	1	2-3/8	6-7/8	D.I.	5.00
8	905765	1/2	7/8	1-1/8	1	2-3/8	6-7/8	D.I.	5.00
8	905783	1/2	1	1-1/8	1	2-3/8	6-7/8	D.I.	8.50

Custom sheaves are available. See page 287 for ordering details.