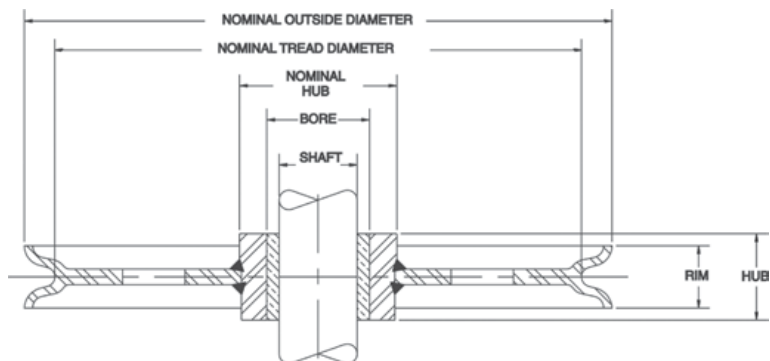


McKissick® Sheaves Selection Guide

McKissick® Sheaves come in a variety of sizes to suit your specific applications. Crosby offers many sheaves as standard and these are shown in the pages that follow.

For applications that require unique specifications, Crosby can make minor modifications to many of the sheaves listed at a reasonable charge. We can also custom design and manufacture sheaves to your exact requirements. Contact Crosby Sales to order McKissick® sheaves and include the stock number and quantity. For help in finding that standard sheave or for help with special requirements or custom designed sheaves, furnish the following important information:



DIMENSIONAL INFORMATION

Nominal Outside Diameter: _____ Wire Rope Size: _____ Rim Width: _____

+ Shaft Size: _____ *Hub Width: _____

Nominal Tread Diameter (Optional): _____ Nominal Hub Diameter (Optional): _____

*Hub width is measured over the cone of the Tapered Bearing Sheaves.

+ Shaft Size is Bore Size on Plain Bore Sheaves.

BEARING TYPE

- Bronze Bushing
 ++ Roller Bearing
 Tapered Roller Bearing
 Finish / Plain Bore
 Full Complement Cylindrical Roller Bearing
 Underwater
 Other

++ Requires hardened and ground shaft

MATERIAL TYPE

- Roll-Forged (Flame hardened 14" and larger)
 Forged Steel
 Domed
 Cast Steel
 Fabricated
 Other

APPLICATION INFORMATION

Line Pull: _____ Fleet Angle: _____ Degree of Wrap: _____

Line Speed: _____ Environment: _____ Groove Angle: _____

SPECIAL REQUIREMENTS

Special Testing: _____

Finish: _____

Third Party Inspection / Approval: _____

In USA: Crosby's Special Engineered Product Group at 1-800-777-1555, fax (918) 834-5035, specials@thecrosbygroup.com

In Canada: Crosby Canada at (905) 451-9261

In Europe: N.V. Crosby Europe at 32 15 757125(26).