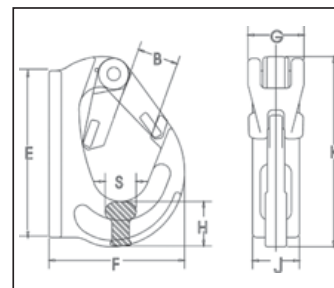




**BH-313  
WELD-ON  
HOOK**

- Wide range of sizes available: 1-10 metric ton capacity.
- Forged Alloy Steel.
- Designed for attachment to mobile lifting equipment to provide a pick point for easy sling attachment.
- Large weld pad.
- Heavy duty latch interlocks with the hook tip. Replacement latches available.
- Detailed installation and application instructions included with each hook.



**BH-313 Weld-On Hooks**

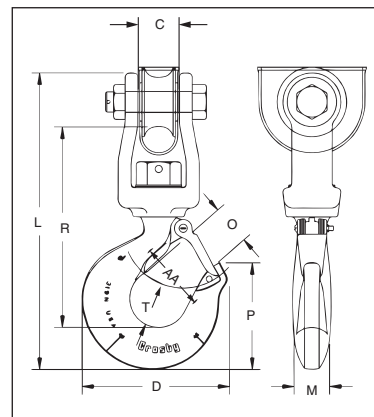
Working Load Limit (t)*	BH-313 Stock No.	Weight Each (lb)	Dimensions (in)								Replacement Latch Stock No.
			B	E	F	G	H	J	K	S	
1	1029105	1.15	.91	3.82	2.80	1.42	1.06	1.02	4.21	.71	1092104
2	1029114	1.85	.91	3.23	3.58	1.42	.98	1.34	4.53	.83	1092104
3	1029123	2.60	1.14	4.61	4.13	1.42	1.22	1.42	5.16	.94	1092104
4	1029132	4.19	1.34	5.16	4.49	1.81	1.42	1.69	5.79	1.14	1092105
5	1029141	5.62	1.34	6.34	5.24	1.85	1.77	1.73	6.81	1.14	1092105
8	1029150	7.28	1.38	6.54	5.31	1.85	2.05	2.05	7.01	1.54	1092105
10	1029169	11.02	1.93	8.07	6.61	1.85	2.24	2.13	8.74	1.54	1092106

\* Ultimate Load is 5 times the Working Load Limit.



**S-3319  
UTILITY SWIVEL  
HOOK**

- Capacities of 1.63, 2.50 and 4.50 metric tons
- Synthetic Rope sizes: 9/16"- 1-1/16"
- Hook is forged Alloy Steel - Quenched and Tempered.
- Can be proof tested to 2 times the Working Load Limit.
- Designed for utility applications using synthetic rope.
- Design of hook provides needed overhaul weight.
- Utilizes spool & shield designed to:
  - Protect rope
  - Keep rope positioned correctly on spool.
  - Provide wider rope bearing surface resulting in an increased area for load distribution and reduces rope abrasion.
- Low profile hook tip designed to utilize Crosby integrated latch (S-4320), that meets the world-class standard for lifting.



Suitable for infrequent, non-continuous rotation under load. Use in corrosive environment requires shank and nut inspection in accordance with ASME B30.10-1.10.4(b)(5)(c)2009.



**S-3319 Utility Swivel Hook**

Working Load Limit (t)*	S-3319 Stock No.	Weight Each (lb)	Hook ID Code	Synthetic Rope Size (in)	Dimensions (in)										Replacement Latch Kit Stock No.
					C	D	L	M	O	P	R	T	AA**		
1.63	1002054	4.2	H	9/16 - 5/8	1.09	3.99	8.75	.94	1.16	2.78	5.94	1.16	2.00	1096468	
2.50	1002063	8.0	I	3/4 - 13/16	1.31	4.84	10.56	1.13	1.41	3.47	7.06	1.53	2.50	1096515	
4.50	1002072	15.0	J	7/8 - 1-1/16	1.78	6.29	12.75	1.44	1.78	4.59	8.69	1.94	3.00	1096562	

\*Ultimate Load is 5 times the Working Load Limit. \*\* Deformation Indicators.