

# CROSBY ROV RELEASE & RETRIEVE SHACKLE

## WITH PATENT PENDING CAPTURED BOLT DESIGN

The New Crosby Release and Retrieve shackles were developed in conjunction with the world's top subsea specialists. Crosby ROV shackles feature an innovative patent pending captured bolt design, and API compliant features that are an industry first. Best of all, the shackles come factory ready and require no end user modification.

### Features

- Forged alloy bow with an *industry best* 6 to 1 performance design factor
- Patent pending captured bolt can withstand approximately 2,000 lbs. (907 kg) of pull-out force
- Galvanized bow with an API RP 17H color compliant coating
- Galvanized alloy bolt comes in either QUIC-Thread or non-thread design
- On average, QUIC-Thread bolt requires only 3.5 rotations for full engagement
- API RP 17H compliant 316 stainless steel handles available in T, D, F, and Eye models (sold separately)
- Built in eyelets for optional tether points
- Monkey fist(s) included

### Job Site Tough

- Meets or exceeds all industry standards
- Tested and approved by subsea professionals

### Flexibility

- Available in QUIC-Thread or non-threaded bolt design
- Modular API RP 17H compliant 316 stainless steel handles available in T, D, F, or Eye models (sold separately)

### Saves Time, Money and Reduces Liability

- Lock plate with tether point for enhanced bolt securement
- User friendly design, fastest, most reliable ROV shackle on the market
- Factory ready design requires no end user modifications



MADE IN  
USA

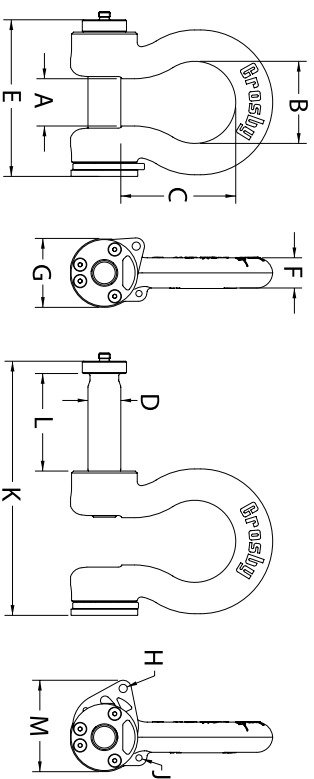
Crosby®

[www.thecrosbygroup.com](http://www.thecrosbygroup.com)



Crosby ROV

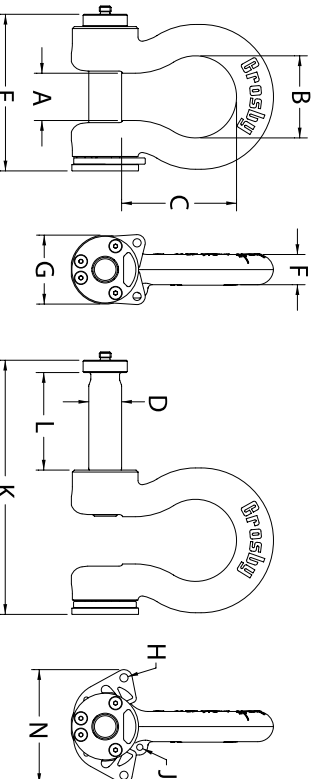
Release & Retrieve Shackles



G-2100 ROV Release & Retrieve Shackle — QUIC-Thread

WLL (t)*	Part #	Weight		Dimensions																							
		lbs.	kg	A	B	C	D	E	F	G	H	J	K	L	M												
9.5	2038739	11.2	5.1	1.81	46.0	2.91	73.9	4.26	108	1.25	31.8	7.33	186	1.16	29.5	2.68	68.1	0.44	11.2	0.31	7.9	11.54	293	4.21	107	3.83	97.3
12	2038762	13.7	6.2	2.03	51.6	3.25	82.6	4.69	119	1.38	35.1	7.75	197	1.29	32.8	3.00	76.2	0.44	11.2	0.31	7.9	12.25	311	4.50	114	3.99	101
17	2038785	23.6	10.7	2.38	60.5	3.88	98.6	5.75	146	1.63	41.4	8.54	217	1.53	38.9	3.62	91.9	0.50	12.7	0.31	7.9	13.74	349	5.20	132	4.95	126
25	2038614	38.4	17.5	2.88	73.2	5.00	127	7.00	178	2.00	50.8	9.54	242	1.84	46.7	4.20	106.7	0.50	12.7	0.38	9.7	15.48	393	5.94	151	5.57	141
35	2038808	51.2	23.3	3.25	82.6	5.75	146	7.74	197	2.28	57.9	10.41	264	2.08	52.8	4.82	122.4	0.50	12.7	0.38	9.7	16.97	431	6.56	167	5.88	149
55	2038831	108	49	4.12	105	7.25	184	10.49	266	2.78	70.6	12.61	320	2.72	69.1	5.81	147.6	0.50	12.7	0.38	9.7	20.74	527	8.13	207	7.50	191
85	2038877	157	71	5.00	127	7.88	200	12.98	330	3.28	83.3	14.23	361	3.12	79.2	6.50	165.1	0.50	12.7	0.50	12.7	23.61	600	9.38	238	7.84	199

Working Load Limit (t)\*



G-2110 ROV Release & Retrieve Shackle — No-Thread

WLL (t)*	Part #	Weight		Dimensions																							
		lbs.	kg	A	B	C	D	E	F	G	H	J	K	L	N												
9.5	2038740	11.4	5.2	1.81	46.0	2.91	73.9	4.25	108	1.25	31.8	7.33	186	1.16	29.5	2.68	68.1	0.38	9.7	0.31	7.9	11.54	293	4.21	107	4.97	126
12	2038763	13.8	6.3	2.03	51.6	3.25	82.6	4.69	119	1.38	35.1	7.75	197	1.29	32.8	3.00	76.2	0.38	9.7	0.31	7.9	12.25	311	4.50	114	4.97	126
17	2038786	23.7	10.8	2.38	60.5	3.88	98.6	5.75	146	1.63	41.4	8.54	217	1.53	38.9	3.62	91.9	0.50	12.7	0.31	7.9	13.74	349	5.20	132	6.28	160
25	2038621	38.6	17.5	2.88	73.2	5.00	127	7.00	178	2.00	50.8	9.54	242	1.84	46.7	4.20	107	0.50	12.7	0.38	9.7	15.48	393	5.94	151	6.94	176
35	2038809	51.2	23.3	3.25	82.6	5.75	146	7.74	197	2.28	57.9	10.41	264	2.08	52.8	4.82	122	0.50	12.7	0.38	9.7	16.97	431	6.56	167	6.94	176
55	2038832	108	49	4.12	105	7.25	184	10.49	266	2.78	70.6	12.61	320	2.72	69.1	5.81	148	0.50	12.7	0.38	9.7	20.74	527	8.13	207	8.53	217
85	2038878	157	71	5.00	127	7.88	200	12.98	330	3.28	83.3	14.23	361	3.12	79.2	6.50	165	0.50	12.7	0.50	12.7	23.61	600	9.38	238	8.53	217

Working Load Limit (t)\*

For more info, contact your local authorized Crosby Distributor or visit [www.thecrosbygroup.com](http://www.thecrosbygroup.com)