

CROSBY SLIDE-LOC™ WARNING & APPLICATION INSTRUCTIONS

Crosby®

(918) 834-4611

www.thecrosbygroup.com

Disponible en Espanol en www.thecrosbygroup.com

P/N 9992456 PPG 25M 01/19/16 rev1

WARNING AND APPLICATION INSTRUCTIONS



SL-150 & SL-150M
Crosby Slide-Loc™ Lifting Point

LIFTING POINT APPLICATION / ASSEMBLY INSTRUCTIONS

- Lifting Points incorporate a red indented area on each forged bail that provides a quick indicator to determine whether the Lifting Point is in the installation position or the lifting position. If the **QUIC-CHECK** mark is visible, product is in installation mode and shall not be used for lifting.
- To check**, look for indented surface (red) on bail. A visible **QUIC-CHECK** mark (Figure 2) means the slide lock and bolt are engaged for installation. When Lifting Point is properly installed, move slide lock to lifting position (Figure 1).
- Use Lifting Points only with a ferrous metal (i.e., steel, iron) or soft metal (e.g., aluminum) load (workpiece). Do not leave threaded end of Lifting Point in aluminum loads for long time periods due to corrosion.
- When using lifting slings of two or more legs, make sure the forces in the legs are calculated using the angle from the horizontal sling angle to the leg and select the proper size swivel hoist ring to allow for the angular forces.
- After determining the loads on each Lifting Point, select the proper size Lifting Point using the Working Load Limit ratings in Table 1 for UNC threads and Table 2 for Metric threads.
- Never exceed rated capacity of Lifting Point. See Table 1 for UNC threads, and Table 2 for metric threads.
- Drill and tap the workpiece to the correct size to a minimum depth of one-half the threaded shank diameter plus the threaded shank length.
- Install Lifting Point by hand so that the bushing flange is held tight to the mounting surface by the bolt. The bushing flange should engage the entire mounting surface.
- Never use spacers between bushing flange and mounting surface.
- Always select proper load rated lifting device for use with Lifting Points.
- Attach lifting device ensuring free fit to Lifting Point bail. (Figure 6)
- Never lift load if Red **QUIC-CHECK** indicator is visible. (Figure 2)



⚠ WARNING

- Load may slip or fall if proper Lifting Point assembly and lifting procedures are not used.
- A falling load can seriously injure or kill.
- Do not use with damaged slings or chain. For inspection criteria see ASME B30.9.
- Use only genuine Crosby bolts as replacements.
- Read and understand these warnings and application instructions.
- Do not load the Lifting Point if the slide lock is in the installation position (Red **QUIC-CHECK** mark is visible).

USING THE LIFTING POINT

Slide-Loc LIFTING POSITION

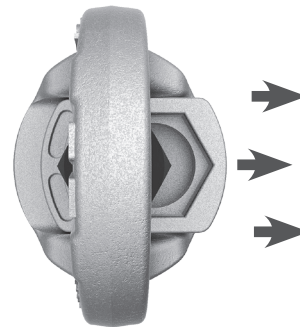


Figure 1

Slide-Loc INSTALLATION POSITION

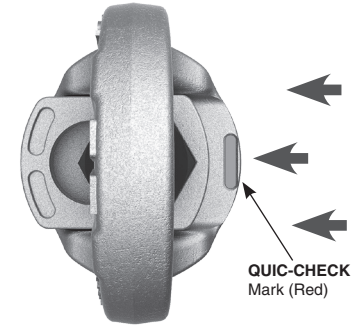


Figure 2

- Apply partial load and check proper rotation and alignment. The Lifting Point bail should be in-line with the direction of the load.
 - Do not load in a direction perpendicular to the bail. (Figure 5)
 - Special Note: When a Lifting Point is installed with a retention nut, the nut must have a full thread engagement and must meet one of the following standards to develop the Working Load Limit (WLL):
- ASTM A-563
 - Grade D Hex Thick
 - Grade DH Standard Hex
 - SAE Grade 10.9 — Standard Hex

To place the Lifting Point:

- Move the slide lock into the installation position, such that the four flats on the bolt head are engaged. (Figure 2)

- Thread the bolt of the Lifting Point into the hole of your workpiece making sure that the entire length of exposed bolt thread is engaged. If the hole on your workpiece is not threaded, ensure that the Lifting Point is secured with a nut on the opposite side of your workpiece and that that nut thread is fully engaged.
- Before applying any load, ensure that the slide lock has been moved back into the lifting position and that the bail is free to rotate. (Figure 1)
- The Lifting Point can be loaded in any direction shown in Figure 4.
- Do not swivel the Lifting Point while supporting a load. The Lifting Point is a positioning device and is not intended to swivel under load.

To remove Lifting Point

- Move the slide lock into the installation position, such that the four flats on the bolt head flats are engaged. (Figure 2)
- Unthread the Lifting Point from your workpiece.

Lifting Point Inspection / Maintenance

- Perform regular daily inspections as recommended.
- Always inspect Lifting Point before use.
- Regularly inspect Lifting Point parts. (Figure 3)
- Never use Lifting Point that shows signs of corrosion, wear or damage.
- Never use Lifting Point if bail is bent or elongated.
- Always be sure threads on shank and receiving hole are clean, not damaged, and fit properly.
- Never use spacers (washers) between bushing flange and the mounting surface.
- Always ensure free movement of bail. The bail should swivel 360 degrees. (Figure 3)
- Always be sure total workpiece surface is in contact with Lifting Point bushing mating surface. Drilled and tapped hole must be 90 degrees to load (workpiece) surface.

Table 1		
Working Load Limit 4:1 (t)	UNC Bolt Size (in.)	Effective Thread Projection Length (in.)
.5	3/8	.61
.75	1/2	.80
1.50	5/8	1.01
2.30	3/4	1.28
2.30	7/8	1.63
3.20	1	1.93

Table 2		
Working Load Limit 4:1 (t)	Metric Bolt Size (mm)	Effective Thread Projection Length (mm)
.5	10	14.7
.75	12	18.1
1.50	16	24.5
2.30	20	31.0
3.20	24	37.0

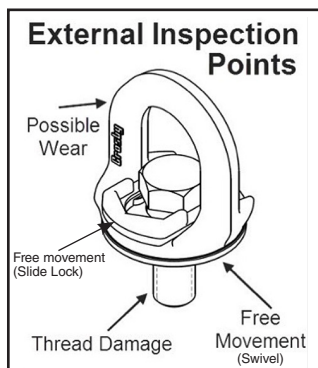


Figure 3

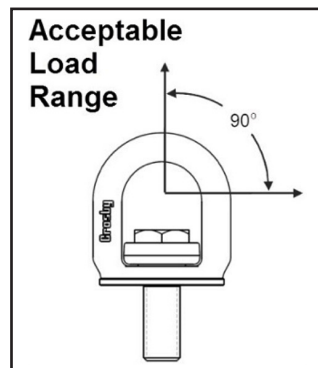


Figure 4

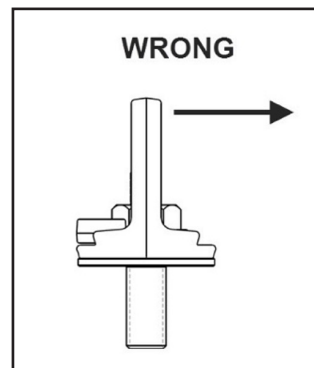


Figure 5

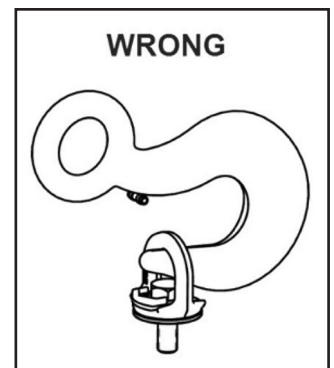


Figure 6

