

# G-517

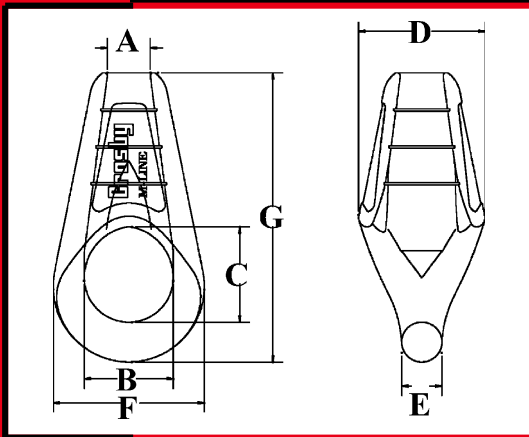
# Crosby®

# M-Line Sockets



Designed for today's higher strength classes of wire rope.

- ✓ Wide range of sizes available:
  - 2" - 3-5/8" Wire Line
- ✓ **M-Line** socket terminations have a 100 % efficiency rating, based on the catalog strength of the wire rope.
- ✓ Design of bail allows for easy connection to shackles and other connecting links.
- ✓ Socket design utilizes features to keep cone from rotating.
- ✓ Available Galvanized



Wire Rope Size (in.)	G-517 Stock No.	Dimensions (in.)							Weight Each (lbs.)
		A	B	C	D	E	F	G	
2 - 2-1/8	1005002	2.50	4.75	5.25	7.00	2.25	8.25	16.00	57
2-1/4 - 2-3/8	1005020	2.78	5.25	5.75	7.72	2.63	9.16	17.90	76
2-1/2 - 2-5/8	1005048	3.05	5.88	6.50	8.53	2.88	10.13	19.89	105
2-3/4 - 2-7/8	1005066	3.33	6.50	7.00	9.34	3.13	11.09	21.63	138
3 - 3-1/8	1005084	3.50	7.25	7.62	10.31	3.38	12.31	23.50	191
3-1/4 - 3-3/8	1005105	3.88	7.62	8.50	10.91	3.75	13.13	25.75	229
3-1/2 - 3-5/8	1005123	4.15	8.00	8.75	11.72	4.00	13.96	27.25	279

### U.S.A.

P.O. Box 3128  
 Tulsa, OK 74101  
 (918) 834-4611  
 Fax: (918) 832-0940  
[www.thecrosbygroup.com](http://www.thecrosbygroup.com)  
[crosbygroup@thecrosbygroup.com](mailto:crosbygroup@thecrosbygroup.com)

### CANADA

145 Heart Lake Road  
 Brampton, Canada L6W 3K3  
 (905) 451-9261  
 Fax: (877) 260-5106  
[www.crosby.ca](http://www.crosby.ca)  
[sales@crosby.ca](mailto:sales@crosby.ca)

### EUROPE

Industriepark Zone B nr 26,  
 B-2220 Heist-op-den-Berg,  
 Belgium  
 32-15-75-71-25  
 Fax: 32-15-75-37-64  
[www.thecrosbygroup.com](http://www.thecrosbygroup.com)  
[sales@crosbyeurope.com](mailto:sales@crosbyeurope.com)