

Introducing The Improved SB-427 Button Socket From Crosby®

Designed for use with mobile cranes.

Used to terminate all types of wire rope, including high performance ropes, anti-rotation ropes and standard 6 strand ropes.

Perfect for cranes utilizing easy Reeve parts for line changing.

SB-427 Features:

- Termination efficiency rating of 100% based on the strength of the wire rope.
- Available in six sizes:
 - 1/2" - 5/8" (13-16 mm)
 - 5/8" - 3/4" (16-19 mm)
 - 3/4" - 7/8" (19-23 mm)
 - 7/8" - 1" (22-26 mm)
 - 1-1/8" - 1-1/4" (28-32 mm)
 - 1-3/8" - 1-1/2" (34-38 mm)
- Easy "In-Field" installation, utilizing Crosby® WIRELOCK™ socketing compound, can be performed by trained authorized Crosby distributors.
- Sockets and buttons are re-useable.
- Locking feature available to prevent rotation of rope.
- Replacement buttons available.



Crosby®

www.thecrosbygroup.com



Crosby® USA
P.O. Box 3128
Tulsa, OK 74101
(918) 834-4611
Fax: (918) 832-0940
crosbygroup@thecrosbygroup.com

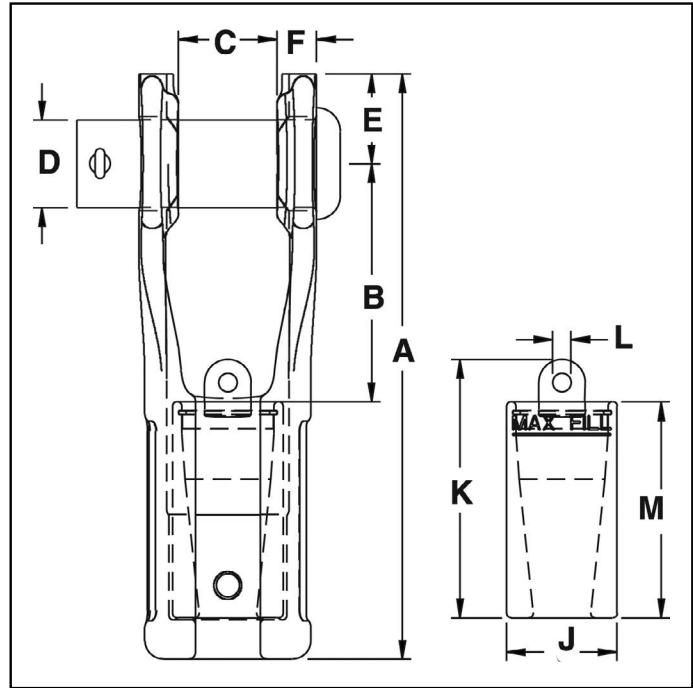
Crosby® CANADA
145 Heart Lake Road
Brampton, Ontario L6W 3K3
(905) 451-9261
Fax: (877) 260-5106
sales@crosby.ca

Crosby® EUROPE
Industriepark Zone B nr 26
B-2220 Heist-op-den-Berg
Belgium
Sales Office: 32-15-757125
FAX: 32-15-753764
sales@crosbyeurope.com

Button Spelter Sockets

SB-427 Features:

- ✓ Termination efficiency rating of 100% based on the strength of the wire rope.
 - Available in six sizes:
 - 1/2" - 5/8" (13 - 16 mm)
 - 5/8" - 3/4" (16 - 19 mm)
 - 3/4" - 7/8" (19 - 23 mm)
 - 7/8" - 1" (22 - 26 mm)
 - 1-1/8" - 1-1/4" (28 - 32 mm)
 - 1-3/8" - 1-1/2" (34 - 38 mm)
- ✓ Sockets and buttons are re-useable.
- ✓ Replacement buttons available.
- ✓ Locking feature available to prevent rotation of rope.
- ✓ New design cast socket is 30 - 40% lighter than previous machined steel sockets.



Wire Rope Size		SB-427 Stock No.	Ultimate Load (t)	Weight Each (lbs.)	Socket Only Stock No.	Button Only Stock No.	Dimensions (in.)										Tolerance +/-
(in.)	(mm)						A	B	C	D	E	F	J	K	L	M	
1/2 - 5/8	13-16	1052005	27	6.1	1052107	1052309	7.94	3.23	1.28	1.19	1.22	.57	1.50	3.50	.25	2.93	.06
5/8 - 3/4	16-19	1052014	45	10.3	1052116	1052318	9.44	3.88	1.53	1.38	1.44	.66	1.75	4.28	.38	3.43	.06
3/4 - 7/8	19-22	1052023	57	17.1	1052125	1052327	10.81	4.41	1.78	1.62	1.69	.75	2.06	4.78	.38	3.96	.06
7/8 - 1	22-26	1052032	82	29.2	1052134	1052336	12.88	5.48	2.03	2.00	2.00	.89	2.44	5.62	.62	4.52	.09
1-1/8 - 1-1/4	28-32	1052041	136	46.0	1052143	1052345	14.90	5.68	2.53	2.25	2.50	1.11	2.94	7.08	.75	5.72	.09
1-3/8 - 1-1/2	35-38	1052050	161	78.0	1052152	1052354	18.06	7.17	3.03	2.75	2.75	1.24	3.62	8.08	.75	6.76	.09

Easy "In-Field" installation, utilizing Crosby® WIRELOCK™ socketing compound, can be performed by trained authorized Crosby distributors.

Wire Rope Size		WIRELOCK Required (cc)	WIRELOCK Stock No.	WIRELOCK Kit Size (cc)
(in.)	(mm)			
1/2 - 5/8	13-16	35	1039602	100
5/8 - 3/4	16-19	60	1039602	100
3/4 - 7/8	19-22	100	1039602	100
7/8 - 1	22-26	140	1039602*	100
1-1/8 - 1-1/4	28-32	250	1039604	250
1-3/8 - 1-1/2	35-38	420	1039606	500